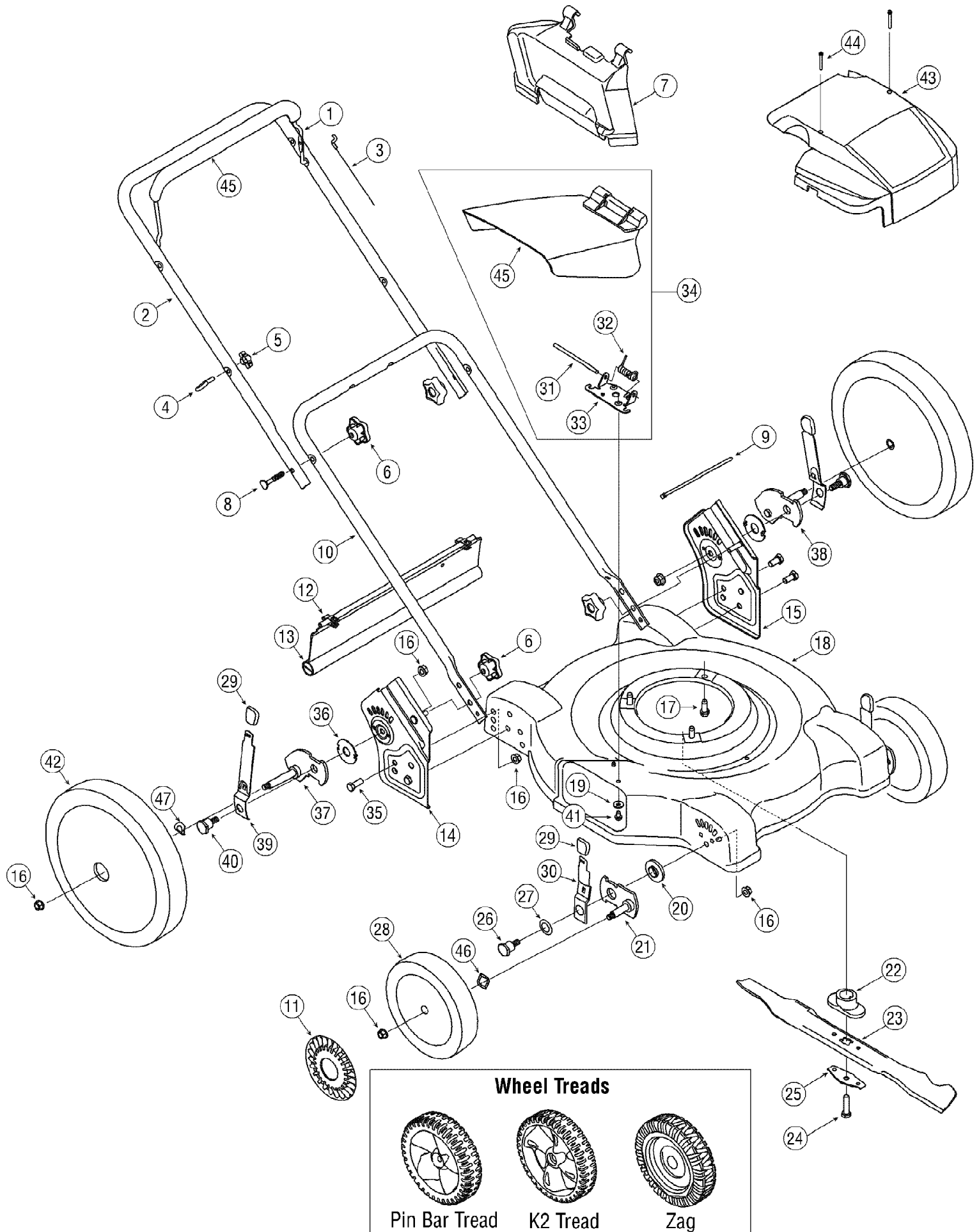


11A-504B090 (2007)
General Assembly



11A-504B090 (2007)
General Assembly

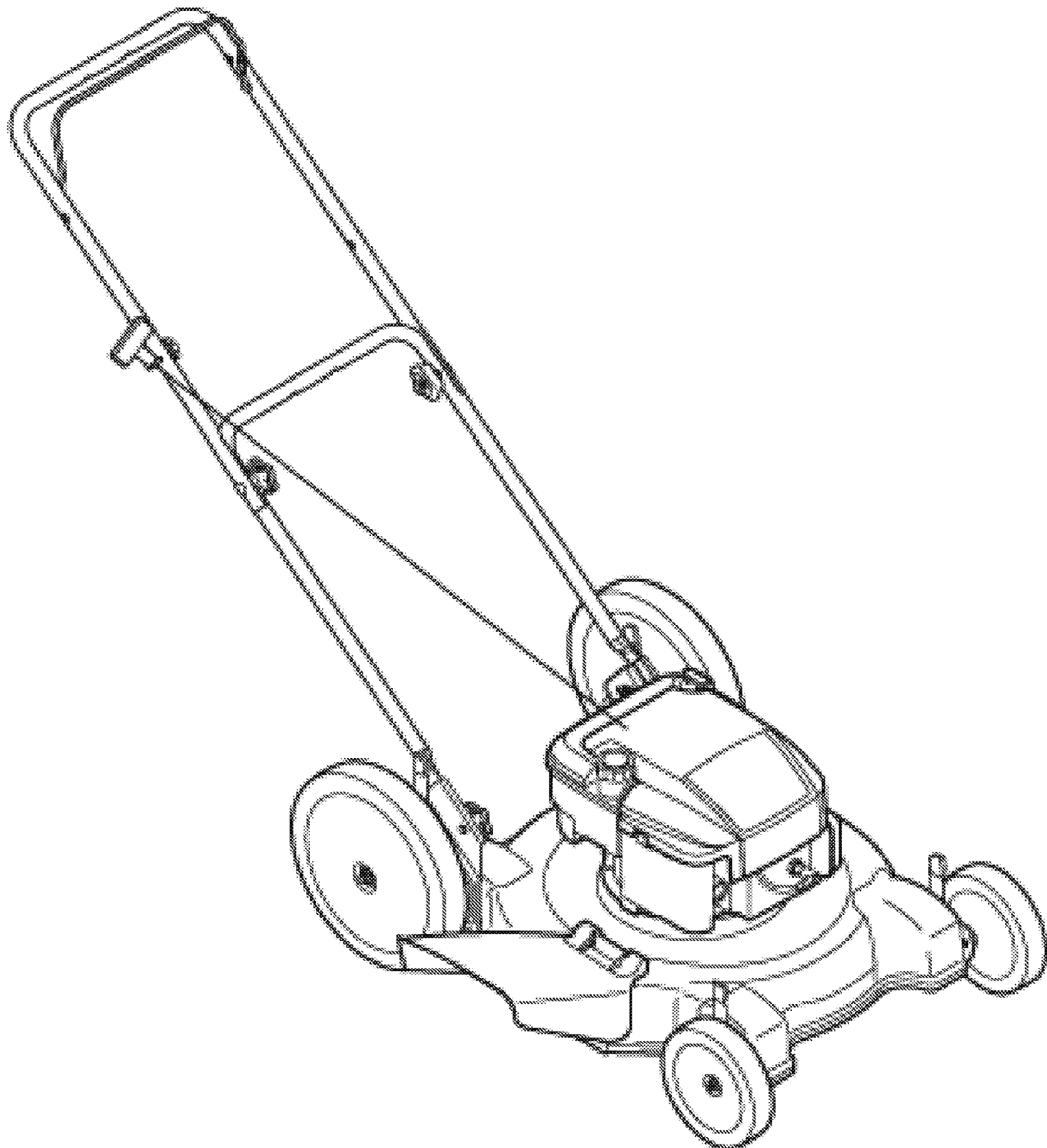
Page 2 of 5

| Ref # | Part Number | Qty | S/P/F | Description |
|-------|-------------|-----|-------|---------------------------------|
| 1 | 747-1161A | 1 | S | Blade Control |
| 2 | 749-1092A | 1 | /P | Upper Handle |
| 3 | 746-0957 | 1 | S | Blade Control Cable - 37.25" |
| 3 | 746-1130 | 1 | S | Blade Control Cable - 40" |
| 3 | 746-0946 | 1 | S | Blade Control Cable - 48.25" |
| 4 | 710-1205 | 1 | /P | Eye Bolt |
| 5 | 720-0279 | 1 | /P | Wing Nut |
| 6 | 720-04072 | 1 | S | Star Knob |
| 7 | 631-04045 | 1 | /P | Mulching Baffle If equipped |
| 8 | 710-1174 | 1 | /P | Carriage Bolt 5/16-18 x 2.0 |
| 9 | 725-0157 | 1 | /P | Cable Tie |
| 10 | 749-04037 | 1 | /P | Lower Handle |
| 11 | 731-0981A | 1 | S | Hub Cap If equipped |
| 12 | 17098 | 1 | S | Hinge Clip |
| 13 | 731-2537 | 1 | /P | Trail Shield |
| 14 | 682-3062A | 1 | S | Handle Bracket Assembly - RH |
| 15 | 682-3063A | 1 | S | Handle Bracket Assembly - LH |
| 16 | 712-04065 | 1 | /P | Lock Nut 3/8 -16 |
| 17 | 710-0654A | 1 | /P | Hex Washer Screw 3/8-16 x 1.0 |
| 18 | 687-02048 | 1 | /P | 22" Deck Assembly |
| 18 | 787-01097 | 1 | S | 22" Deck Assembly - No Sprig |
| 19 | 736-0270 | 1 | /P | Bell Washer.265 x.75 |
| 20 | 741-0751 | 1 | /P | Height Adjuster Bearing |
| 21 | 687-02094 | 1 | S | Pivot Arm Assembly |
| 22 | 748-0376C | 1 | /P | Blade Adapter |
| 23 | 742-0742A | 1 | S | 22" Mulching Blade If equipped |
| 23 | 742-0642A | 1 | S | 22" Standard Blade |
| 24 | 710-1044 | 1 | /P | Hex Cap Screw 3/8-24 x 1.5 |
| 25 | 736-0524B | 1 | /P | Blade Bell Support |
| 26 | 738-1172 | 1 | /P | Shoulder Screw 3/8 - 16 x.302 |
| 27 | 736-0741 | 1 | /P | Bell Washer.760 ID x 1.25 OD |
| 28 | 734-04213 | 1 | S | Front Wheel, 7 x 1.8, K2 Bar |
| 28 | 734-1988 | 1 | /P | Front Wheel, 7 x 1.8, Pin Bar |
| 28 | 734-04176 | 1 | S | Front Wheel, 7 x 2.125, Zag |
| 29 | 720-0426 | 1 | /P | Height Adjuster Knob |
| 30 | 732-1026 | 1 | | Front Spring Lever |
| 31 | 747-0710 | 1 | S | Hinge Pin |
| 32 | 732-1014 | 1 | | Torsion Spring |
| 33 | 17032A | 1 | /P | Deflector Chute Adapter |
| 34 | 731-1034B | 1 | S | Side Discharge Chute Assembly |
| 35 | 710-0216 | 1 | /P | Hex Cap Screw 3/8-16 x .75 |
| 36 | 741-0717 | 1 | | Thrust Brg., .688 ID x 1.94 OD |
| 37 | 687-02080 | 1 | | Rear Pivot Arm Assembly - RH |
| 38 | 687-02079 | 1 | | Rear Pivot Arm Assembly - LH |
| 39 | 732-0984B | 1 | /P | Rear Spring Lever |
| 40 | 738-1127 | 1 | | Shoulder Screw 3/8 - 16 x.442 |
| 41 | 710-0599 | 1 | /P | Screw 1/4-20 x.50 |
| 42 | 734-04217 | 1 | S | Rear Wheel, 12 x 1.8, K2 Bar |
| 42 | 734-04082 | 1 | /P | Rear Wheel, 12 x 1.8, Pin Bar |
| 42 | 734-04093 | 1 | | Rear Wheel, 12 x 2.125, Zag |
| 43 | 751B698264 | 1 | | Engine Shroud If equipped |
| 44 | 751B095050 | 1 | | Screw, #8-18 x 1.25 If equipped |
| 45 | 731-04859 | 1 | | Cover If equipped |

11A-504B090 (2007)
General Assembly

| Ref # | Part Number | Qty | S/P/F | Description |
|-------|-------------|-----|-------|---------------------------|
| 46 | 736-0504 | 1 | S | Wave Washer If equipped |
| 47 | 736-0182 | 1 | /P | Spring Washer If equipped |

11A-504B090 (2007)
Quick Reference 504B



11A-504B090 (2007)
Quick Reference 504B

Page 5 of 5

| Ref # | Part Number | Qty | S/P/F | Description |
|-------|-------------|-----|-------|---|
| | 759-3338 | 1 | /P | Spark Plug 802592S |
| | N/A | 1 | | Pre Filter |
| | BS-698472 | 1 | | Air Filter Ass'y |
| | N/A | 1 | | Fuel Filter |
| | 746-0957 | 1 | S | Cable Control (Brake) |
| | 742-0642A | 1 | S | Blade |
| | 710-1044 | 1 | /P | Blade Bolt |
| | 748-0376C | 1 | /P | Blade Adapter |
| | 736-0524B | 1 | /P | Bell Blade Support |
| | 734-1988 | 1 | /P | Wheels (Front) |
| | 734-04082 | 1 | /P | Wheels (Rear) |
| | 731-0981A | 1 | S | Hub Cap |
| | 731-2537 | 1 | /P | Trail Shield |
| | 731-1034B | 1 | S | Side Discharge Chute |
| | N/A | 1 | | Grass Bag |
| | 190-110-190 | 1 | | Side Discharge Grass Collector (2007) (Attachment) |
| | 631-04045 | 1 | /P | Mulch Plug (Attachment) |